

# Loader Crane



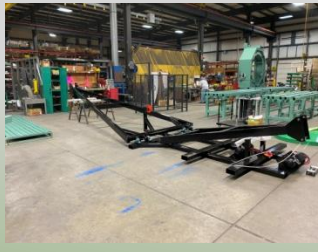
## We believe in efficiency

The Aura Loader Crane transform a flatbed into a lift system capable of 2,000 lbs



Compact design folds quickly and easily for transit

Designed and manufactured in Grand Rapids, MI. Custom modifications available



Durable steel construction with dual winch redundancy

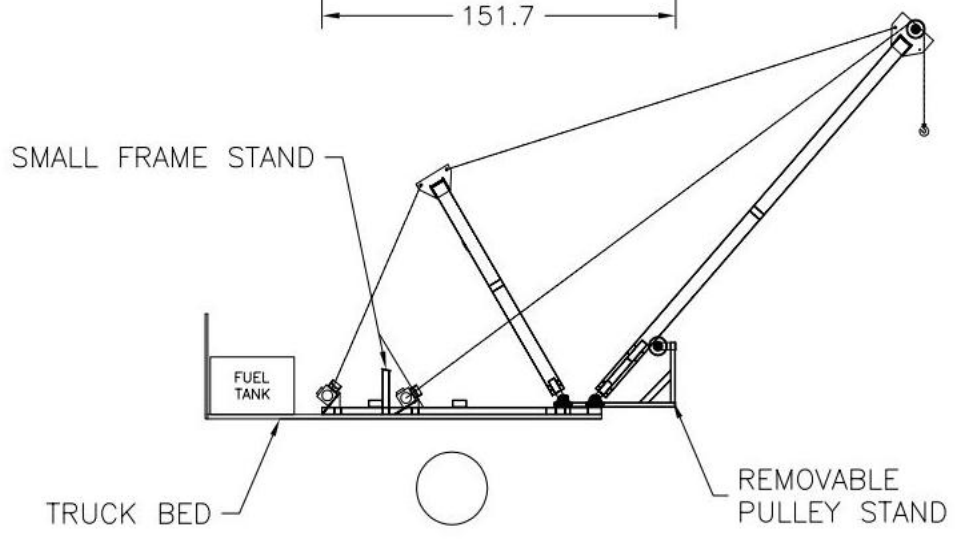
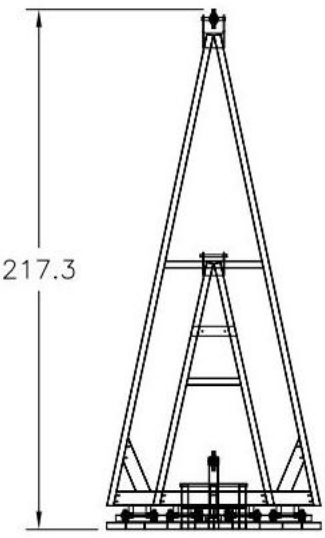
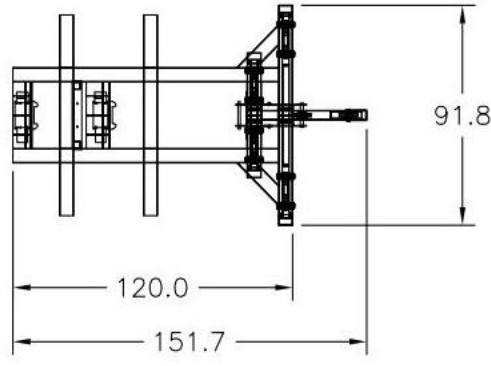
Typical lift heights of 18-23 ft depending on flat bed height



Perfect for farm, landscaping, construction and more

PACKAGE SPECIFICATIONS			
MAX WEIGHT (lb)	2000		
PRODUCT	N/A		
REQUEST 2nd DRAFT W/DRAWN CHANGES	YES	NO	DATE

BLACK PAINT



Load Capacity	2,000 lbs, safety factor >3
Max Lift Height	18 to 23 ft typical
Min Lift Height	surface level
Erect Time	~ 5 minutes
Fold Time	~6 minutes
Cable Type	3/8" 7x19 galvanized wire rope
Clevis Hook Type	3/8" with safety latch
Winch Motor	6 hp 12 VDC series wound
Max Amp Draw	350 A @12 VDC*
Crane Control	1 wired remote per winch**
Duty Cycle	10%
Sound Rating	90 db
Circuit Breaker	in line type
Battery Cables	2 AWG x 6'
Battery Spec	12 VDC 650 CCA minimum***

\*Battery not included with crane  
 \*\*Wireless crane control available  
 \*\*\*12 VDC power supply needed. Recommend dedicated battery for crane.